



Outdoor wall grilles for insulated ducts type BLR-PPC

Discrete outside air grille with contemporary design out of recyclable plastic

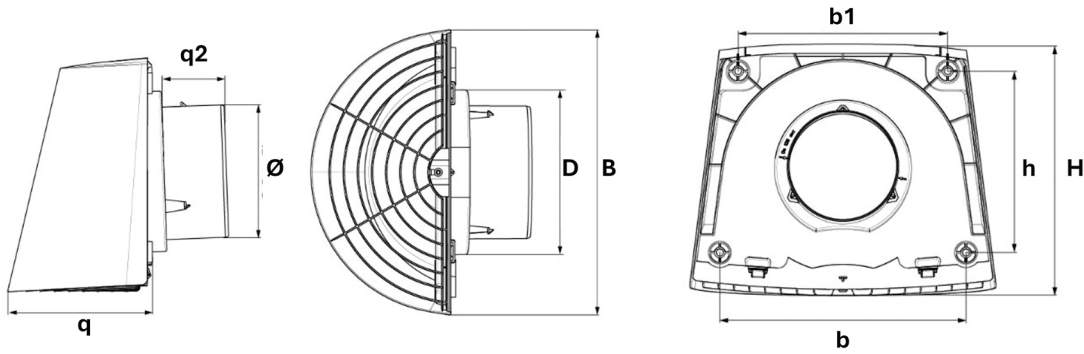
Application

- For supply and extract air
- Available in 4 sizes: Ø125, 160, 180 and 200mm
- For air flow rates up to 650m³/h

Composition

- Material: Durable, UV resistant polypropylene
- Colour : Matt grey-black
- Protective grille
- Mounting plate included
- Prevents waterdrops on the wall

| Zeta | Technical data | | | | | | | | | | | | | | | |
|------------------------|----------------|---------|---------|---------|-------------|---------|---------|---------|-------------|---------|---------|---------|-------------|---------|---------|---------|
| | Supply | | Extract | | Supply | | Extract | | Supply | | Extract | | Supply | | Extract | |
| | BLR-PPC 125 | | | | BLR-PPC 160 | | | | BLR-PPC 180 | | | | BLR-PPC 200 | | | |
| Qv [m ³ /h] | V [m/s] | Ps [Pa] | V [m/s] | Ps [Pa] | V [m/s] | Ps [Pa] | V [m/s] | Ps [Pa] | V [m/s] | Ps [Pa] | V [m/s] | Ps [Pa] | V [m/s] | Ps [Pa] | V [m/s] | Ps [Pa] |
| 50 | 1.1 | 0.4 | 1.1 | 1.1 | 0.7 | 0.3 | 0.7 | 0.4 | 0.5 | 0.2 | 0.5 | 0.3 | 0.4 | 0.2 | 0.4 | 0.3 |
| 100 | 2.3 | 1.7 | 2.3 | 4.3 | 1.4 | 1.2 | 1.4 | 1.7 | 1.1 | 0.8 | 1.1 | 1.3 | 0.9 | 0.8 | 0.9 | 1.1 |
| 150 | 3.4 | 3.9 | 3.4 | 9.6 | 2.1 | 2.7 | 2.1 | 3.9 | 1.6 | 1.9 | 1.6 | 3 | 1.3 | 1.8 | 1.3 | 2.5 |
| 200 | 4.5 | 6.9 | 4.5 | 17 | 2.8 | 4.7 | 2.8 | 6.9 | 2.2 | 3.3 | 2.2 | 5.3 | 1.8 | 3.2 | 1.8 | 4.4 |
| 250 | 5.7 | 10.8 | 5.7 | 26.6 | 3.5 | 7.4 | 3.5 | 10.8 | 2.7 | 5.2 | 2.7 | 8.3 | 2.2 | 5 | 2.2 | 6.9 |
| 300 | | | | | 4.1 | 10.6 | 4.1 | 15.5 | 3.3 | 7.5 | 3.3 | 11.9 | 2.7 | 7.1 | 2.7 | 9.9 |
| 350 | | | | | 4.8 | 14.5 | 4.8 | 21.1 | 3.8 | 10.2 | 3.8 | 16.2 | 3.1 | 9.7 | 3.1 | 13.5 |
| 400 | | | | | 5.5 | 18.9 | 5.5 | 18.9 | 4.4 | 13.4 | 4.4 | 21.1 | 3.5 | 12.7 | 3.5 | 17.6 |
| 450 | | | | | | | | | 4.9 | 16.9 | 4.9 | 26.8 | 4 | 16.1 | 4 | 22.3 |
| 500 | | | | | | | | | 5.5 | 20.9 | 5.5 | 33 | 4.4 | 19.8 | 4.4 | 27.6 |
| 550 | | | | | | | | | | | | | 4.9 | 24 | 4.9 | 33.3 |
| 600 | | | | | | | | | | | | | 5.3 | 28.6 | 5.3 | 39.7 |
| 650 | | | | | | | | | | | | | 5.7 | 33.5 | 5.7 | 46.6 |



| Type | Dimension | | | | | | | | |
|-------------|------------------|-----|-----|-----|-----|-----|-----|-----|----|
| | \emptyset [mm] | D | B | b | b1 | H | h | q | q2 |
| BLR-PPC 125 | 125 | 155 | 343 | 276 | 235 | 282 | 203 | 174 | 75 |
| BLR-PPC 160 | 160 | 200 | 343 | 276 | 235 | 282 | 203 | 174 | 75 |
| BLR-PPC 180 | 180 | 210 | 343 | 276 | 235 | 282 | 203 | 174 | 75 |
| BLR-PPC 200 | 200 | 230 | 343 | 276 | 235 | 282 | 203 | 174 | 75 |