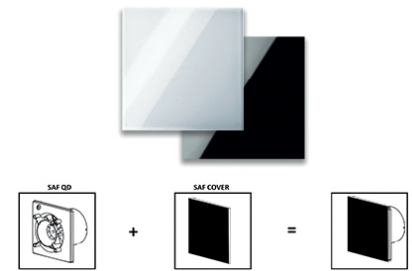
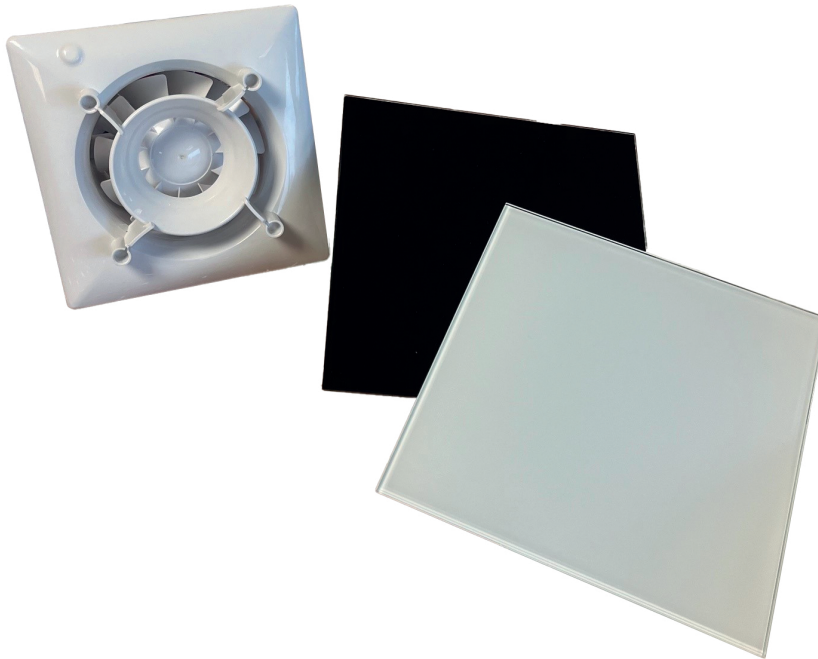


- Without heat recovery
- Wall or ceiling
- Design Model
- IP44
- 50-150m³/h



Bathroom fans with required design finishing panel type SAF QD

The Quiet Design fan is a high-quality bathroom fan with optional glass finishing plate.

Application

- Continuous or periodic ventilation of bathrooms, showers, toilets, kitchens and other residential areas
- For openings provided on a pipe diameter of 100 or 125 mm
- Each size is available in 3 different versions: standard, with timer or with timer and humidity sensor
- Wall or ceiling mounting
- Depending on the flow rate and back pressure, this fan can be equipped with limited ductwork (see selection table)

Specifications

- Energy-efficient motor with ball bearings for a longer lifespan
- High head and minimum noise production
- Attractive and subtle design in combination with the separately available glass finishing panels

Composition

- Finishing panel type **SAF COVER** to be provided obligatory
- Casing made of UV-resistant plastic
- High-performance impeller
- Integrated non-return foil
- Specifically designed air guides for higher performance and to avoid turbulence and noise

Models

Available in 2 sizes: 100 and 125 mm diameter

- **SAF QD L**: standard type
- **SAF QD L T**: type with run-on timer 2-30 min
- **SAF QD L TH**: type with run-on timer 2-30 min and hygostat 50-90%

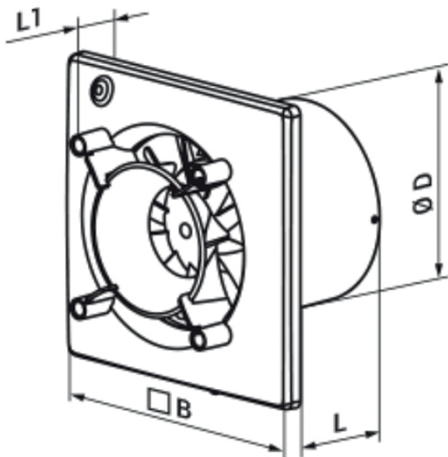
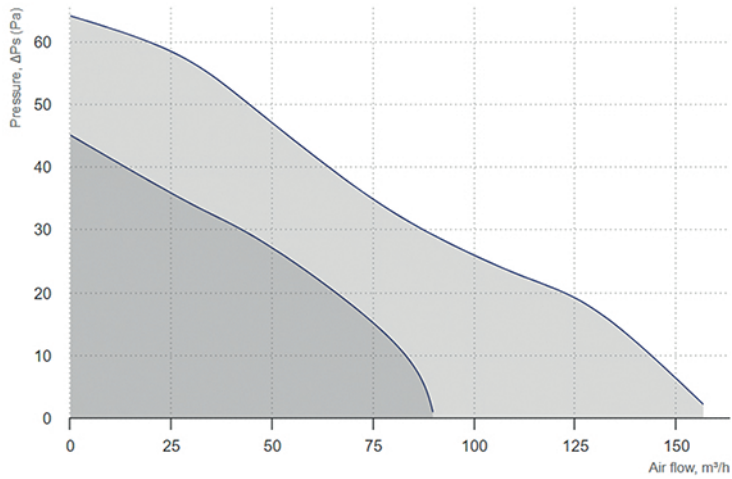
Accessories

- Glass finishing plate type **SAF COVER**
- Outdoor air grille type **BLR-E-RL**

Air performance data

	Q[m ³ /h]						
	0 Pa	10 Pa	20 Pa	30 Pa	40 Pa	50 Pa	60 Pa
SAF QD L 100	90	82	65	43	13	-	-
SAF QD L 125	160	144	122	87	63	44	17

Selection curves



	Dimensions				
	ØD [mm]	B [mm]	H [mm]	L [mm]	L1 [mm]
SAF QD L 100	99	151	151	79	36
SAF QD L 125	124	180	180	85	37

Mounting instruction



SAF COVER

Accessories



Aesthetic finishing panels in glass for SAF QD type SAF COVER

Aesthetic finishing panels in glass for **SAF QD**

Brand

- CAIROX

Composition

- Eroded shiny glass, thickness 4mm
- Fastening frame (4-point) made of plastic
- High-quality lacquer layer along the fan side of the glass
- Dimensions for 100 and 125 version: 180 X 180 X 4mm

SAF COVER 100 can only be combined with SAF QD L 100
SAF COVER 125 can only be combined with SAF QD L 125