

Ducobox fan Focus type DC-BOX FOCUS

The **Ducobox Focus** is a compact, very quiet and energy efficient extraction unit, programmable with ease for applications within demand controlled domestic ventilation, adjustable up to 400m³/h for decentralised/local control. Within this application airflows are measured and adjusted for each room individually through valves with integrated sensors which are slid into the unit. This principle of ventilating ensures a minimal electrical consumption and loss of heat. Through the simple construction and the efficient DC-motor inside the **Ducobox Focus** it guarantees a long life duration.

Application

- Single flow ventilation system with f_{reduc} from 1 up to 0.35
- The **DucoBox Focus** can be applied with the **Duco Comfort Plus** system and the **Duco Tronic (plus)** system
- The **DucoBox Focus** can be connected with up to 7 internal VAV-valves with integrated RH- and/or CO₂-sensors and up to 66 room sensors, controllers and/or contact switches
- Can be wall mounted as well as mounted on the ceiling
- Control by 0-10V, ModBus or 24V Duco wired is possible with optional communication print, type **DC-CB2**

Composition

- 7 extraction entrances and 1 exhaust of Ø125mm
- EBM Direct Current fan
- Sound attenuating interior finishing
- For wall mount as well as ceiling mount
- By default delivered without controls
- Can communicate with the 24V Duco-Wired network
- Equipped with 'nightboost' function

Certification

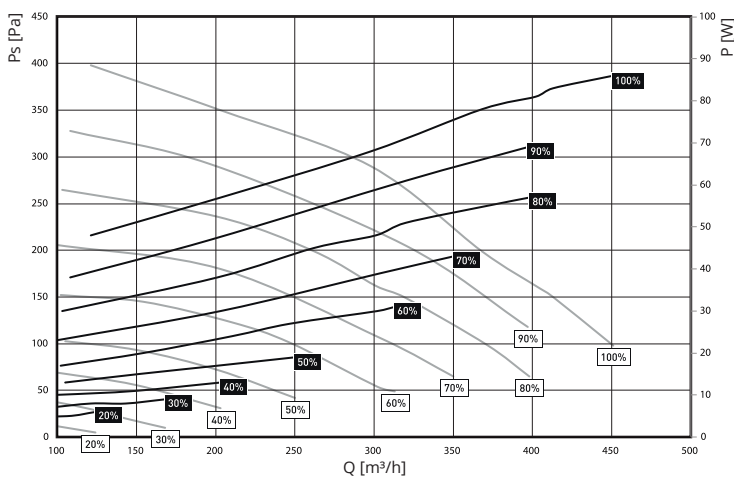
- Tested according to NBN EN 308: www.epbd.be

Accessories

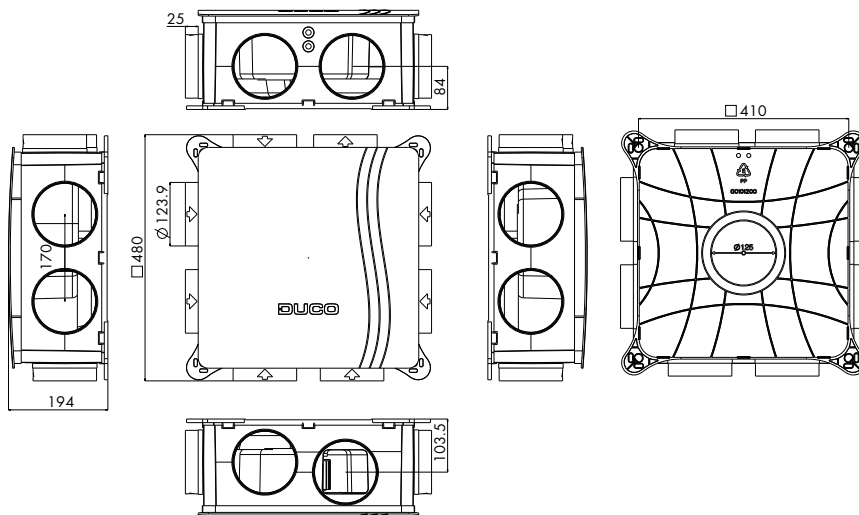
- **DC-BPFS (SL)**: Basic package for Comfort Plus an Tronic (Plus) including CO₂-valve for open kitchen (**DC-VAV CO2 75**), RH-valve for bathrooms (**DC-VAV RH50**), CO₂-valve for toilets (**DC-VAV CO2 25**), the **SL**-version is furnished with 2 supplementary bedroom-valves, type **DC-VAV CO2 30**
- **DC-CV**: 3-position switches with auto-function
- **DC-VAV**: Variable air valves with RH and/or CO₂ measuring
- **DC-SEN**: Room sensors
- **DC-SC RF230**: Contact switches
- **DC-CB V2**: Communication print
- **DC-VSRK**: Repartition piece, for expansion up to 11 valves

| | | Air performance data | | | | | | |
|--------------|----|-----------------------|-------|-------|-------|-------|-------|-------|
| | | Q [m ³ /h] | | | | | | |
| | | 100Pa | 150Pa | 200Pa | 250Pa | 300Pa | 350Pa | 400Pa |
| DC-BOX FOCUS | V1 | 450 | 420 | 365 | 330 | 280 | 200 | 120 |

Selection curves



Black = Power
Gray = Pressure/Air flow



Energy efficiency class

- Class B in a system with at least 2 sensors and and equipped with valve-control