

Ducobox fan Focus type DC-BOX FOCUS 3 ZONE

The **DC-BOX FOCUS 3 ZONE** is an economical kit that includes a Ducobox Focus, 3 self controlling internal valves, a battery fed controller and 3 basic plastic extraction valves.

Application

- Single flow ventilation system with f_{reduc} from 1 up to 0.35
- The **DucoBox Focus** can be applied with the **Duco Comfort Plus** system and the **Duco Tronic (plus)** system
- The **DucoBox Focus** can be connected with up to 7 internal VAV-valves with integrated RH- and/or CO₂-sensors and up to 66 room sensors, controllers and/or contact switches
- Can be wall mounted as well as mounted on the ceiling
- Control by 0-10V, ModBus or 24V Duco wired is possible with optional communication print, type **DC-CB V2**

Composition

- 1x **DC-BOX FOCUS**
- 1x **DC-VAV CO2 75**
- 1x **DC-VAV RH/CO2 50**
- 1x **DC-VAV CO2 25**
- 1x **DC-CV RF BAT**
- 3x Basic vent Ø125mm

Certification

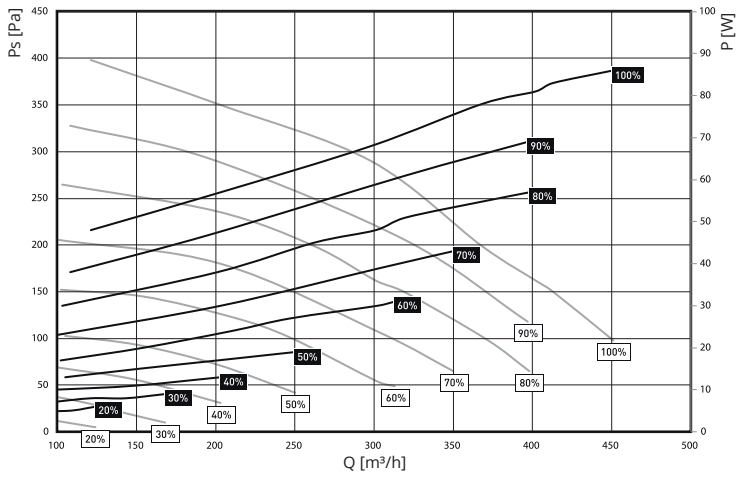
- Tested according to NBN EN 308: www.epbd.be

Accessories

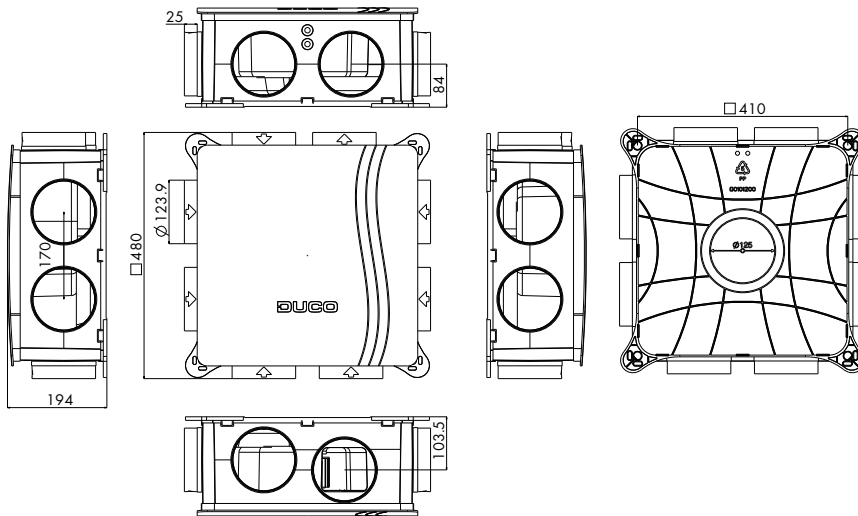
- **DC-VAV**: Variable air valves with RH and/or CO₂ measuring
- **DC-VSRK**: Repartition piece, for expansion up to 11 valves
- **DC-SEN**: Room sensors
- **DC-CV**: 3-position switches with auto-function
- **DC-SC RF230**: Contact switches
- **DC-SILP**: acoustic set -3dB(A)
- **DC-CB V2**: Communication print

		Air performance data						
DC-BOX FOCUS	V1	Q [m³/h]						
		100Pa	150Pa	200Pa	250Pa	300Pa	350Pa	400Pa
		450	420	365	330	280	200	120

Selection curves



Black = Power
Gray = Pressure/Air flow



Energy efficiency class

- Class B in a system with at least 2 sensors and and equipped with valve-control