

- Aeraulic
- Actuator 20 Nm
- Proportional 2-10V
- Dampers



Actuators 20Nm modulating 2-10V type SM A-SR

Servomotor for air volume control dampers of up to 4 m² depending on the type of air valve and the pressure on the valves. Simple direct mounting on the damper axe with a universal spindle clamp, supplied with an anti-rotation strap to prevent the actuator from rotating.

Brand

- Belimo

Application

- Dampers

Specifications

- Torque 20 Nm
- Nominal Voltage **SM 230A-SR** 230 V AC
- Nominal Voltage **SM 24A-SR** 24 V AC/DC
- Control: modulating standard control signal DC 2-10V, position feedback DC 2-10V. The measuring voltage U allows the damper position (0-100%) to be electrically indicated and serves as a follow-up control signal for other actuators

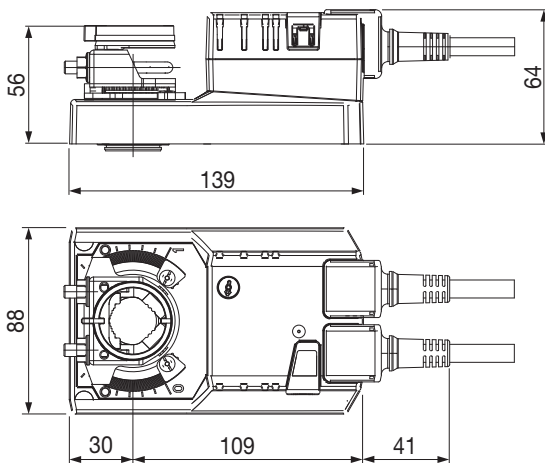
Accessoires

- Auxiliary switches, type **S1A** (1) or **S2A** (2)
- Shaft extension, type **AV8-25**
- Positioners, type **SGA24 / SGF24**

Technical data

- Power consumption:
 1. In operation: 2 W @ nominal torque **SM 230A-SR** / 2 W @ nominal torque **SM 24A-SR**
 2. At rest: 0.2 W **SM 230A-SR** / 0.4 W **SM 24A-SR**
 3. For wire sizing: 4 VA **SM 230A-SR** / 4 VA **SM 24A-SR**
- Control:
 1. Control signal Y: DC 2-10V, typical input impedance 100 kΩ
 2. Working range: DC 2-10 V
- Position feedback (Measuring voltage): DC 2-10 V, max. 1 mA
- Position accuracy: +/- 5%
- Direction of rotation: reversible with switch 0 or 1

- Manual override: gearing latch disengaged with pushbutton, self-resetting
- Angle of rotation: max. 95°, limited on both sides by means of adjustable, mechanical end stops. The actuator is overload proof; requires no limit switches and automatically stops when the end stop is reached
- Running time: 150 s
- Sound power level: max. 45 dB (A)
- Position indication: mechanical, pluggable
- Degree of protection: IP54 in any mounting position

**Text for tender**

- The servomotor shall be of the modulating type with signal 2-10V with torque of 20 Nm for direct mounting on the damper axle. With reversible direction of rotation, angle max 95° with mechanical end stops. Protection class II totally insulated, IP 54 in any mounting position EMC: CE according to 89/336/EEC, LVD 73/23/EWG.